

Service
Service
Service



Service Manual



TABLE OF CONTENTS

Handling Chip Components and Safety1 - 1

Technical Specification & Service tools2 - 1

Service Measurement.....2 - 2

Connections and controls3 - 1..3 - 2

Disassembly Diagram.....4 - 1

Block Diagram.....5 - 1

Wiring Diagram.....6 - 1

Circuit diagram

 Main Board

 AF part.....7 - 1

 CD part7 - 2

 Tuner Board.....7 - 3

 MCU Board.....8 - 1

Layout Diagram

 Main Board

 copper side9 - 1

 component side9 - 2

 MCU Board

 copper side10 - 1

 component side10 - 2

Exploded view - cabinet.....11 - 1

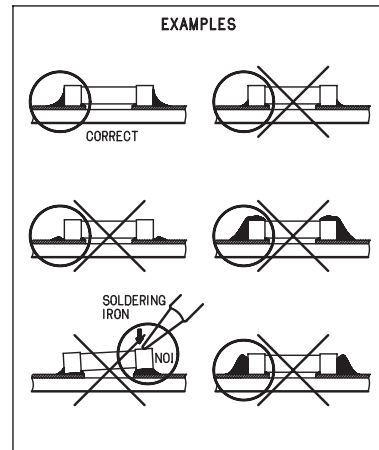
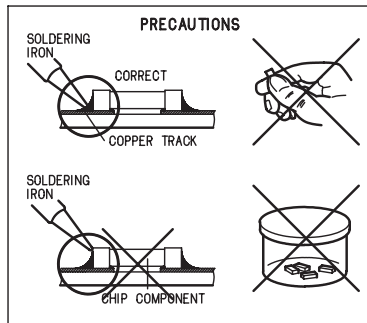
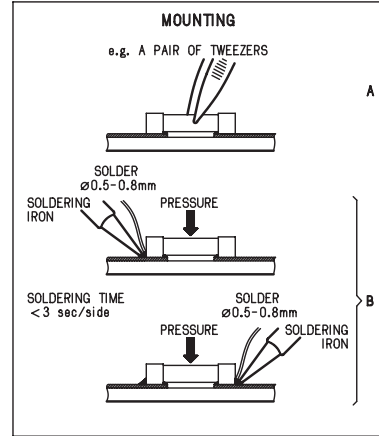
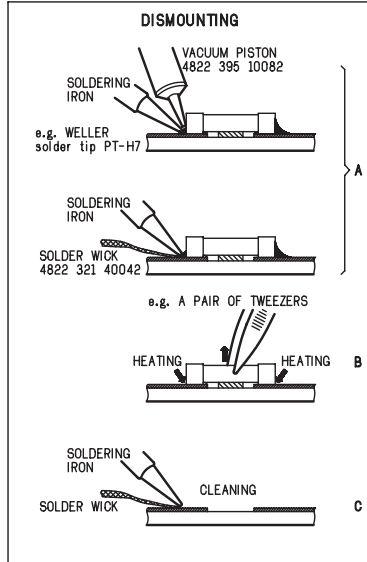
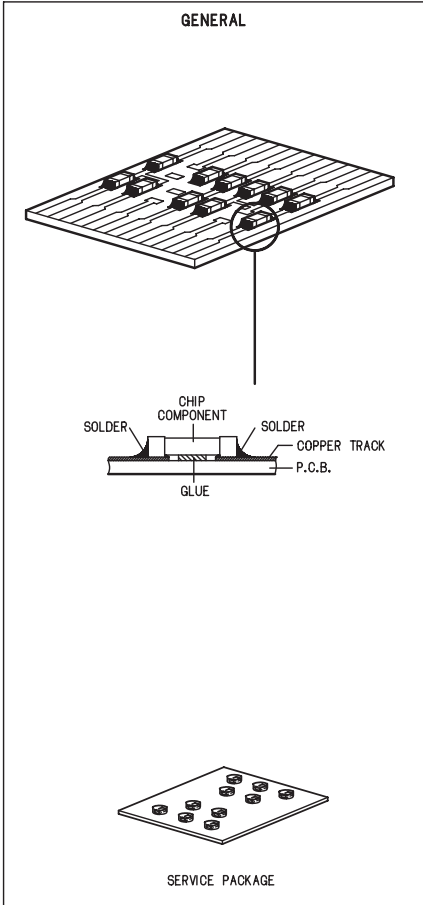
Mechanical partslist12 - 1

Electrical partslist12 - 1..12 - 2

© Copyright 2001 Philips Consumer Electronics B.V. Eindhoven, The Netherlands
All rights reserved. No part of this publication may be reproduced, stored in a retrieval system or transmitted, in any form or by any means, electronic, mechanical, photocopying, or otherwise without the prior permission of Philips.



HANDLING CHIP COMPONENTS



(GB) WARNING

All ICs and many other semiconductors are susceptible to electrostatic discharges (ESD). Careless handling during repair can reduce life drastically. When repairing, make sure that you are connected with the same potential as the mass of the set via a wristband with resistance. Keep components and tools at this potential.

ESD



(NL) WAARSCHUWING

Alle IC's en vele andere halfgeleiders zijn gevoelig voor electrostatische ontladingen (ESD). Onzorgvuldig behandelen tijdens reparatie kan de levensduur drastisch doen verminderen. Zorg ervoor dat u tijdens reparatie via een polsband met weerstand verbonden bent met hetzelfde potentiaal als de massa van het apparaat. Houd componenten en hulpmiddelen ook op ditzelfde potentiaal.

(F) ATTENTION

Tous les IC et beaucoup d'autres semi-conducteurs sont sensibles aux décharges statiques (ESD). Leur longévité pourrait être considérablement écourtée par le fait qu'aucune précaution n'est prise à leur manipulation. Lors de réparations, s'assurer de bien être relié au même potentiel que la masse de l'appareil et enfilez le bracelet sert d'une résistance de sécurité. Veiller à ce que les composants ainsi que les outils que l'on utilise soient également à ce potentiel.

(D) WARNUNG

Alle ICs und viele andere Halbleiter sind empfindlich gegenüber elektrostatischen Entladungen (ESD). Unsorgfältige Behandlung im Reparaturfall kann die Lebensdauer drastisch reduzieren. Sorgen Sie dafür, daß Sie im Reparaturfall über ein Pulsarmband mit Widerstand mit dem Massepotential des Gerätes verbunden sind. Halten Sie Bauteile und Hilfsmittel ebenfalls auf diesem Potential.

(I) AVVERTIMENTO

Tutti IC e parecchi semi-conduttori sono sensibili alle scariche statiche (ESD). La loro longevità potrebbe essere fortemente ridatta in caso di non osservazione della più grande cauzione alla loro manipolazione. Durante le riparazioni occorre quindi essere collegato allo stesso potenziale che quello della massa dell'apparecchio tramite un bracciale a resistenza. Assicurarsi che i componenti e anche gli utensili con quali si lavora siano anche a questo potenziale.

(GB)

Safety regulations require that the set be restored to its original condition and that parts which are identical with those specified be used. Safety components are marked by the symbol

(F)

Les normes de sécurité exigent que l'appareil soit remis à l'état d'origine et que soient utilisées les pièces de rechange identiques à celles spécifiées. Les composants de sécurité sont marqués

SAFETY



(D)

Bei jeder Reparatur sind die geltenden Sicherheitsvorschriften zu beachten. Der Originalzustand des Gerätes darf nicht verändert werden. Für Reparaturen sind Originalersatzteile zu verwenden. Sicherheitsbauteile sind durch das Symbol markiert.

(NL)

Veiligheidsbepalingen vereisen, dat het apparaat in zijn oorspronkelijke toestand wordt teruggebracht en dat onderdelen, identiek aan de gespecificeerde, worden toegepast. De Veiligheidsonderdelen zijn aangeduid met het symbool

(I)

Le norme di sicurezza estigono che l'apparecchio venga rimesso nelle condizioni originali e che siano utilizzati i pezzi di ricambio identici a quelli specificati. Componenti di sicurezza sono marcati con

(GB)

DANGER: Invisible laser radiation when open. AVOID DIRECT EXPOSURE TO BEAM.

(S) Varning!

Osynlig laserstrålning när apparaten är öppnad och spärren är urkopplad. Betrakta ej strålen.

(DK) Advarsel!

Usynlig laserstrålning ved åbning når sikkerhedsafbrydere er ude af funktion. Undgå udsættelse for stråling.



(FIN) Varoitus!

Avatussa laitteessa ja suojalukituksen ohitettaessa olet alttiina näkyvämmälle laserisäteilylle. Älä katso säteeseen!

(GB)

After servicing and before returning the set to customer perform a leakage current measurement test from all exposed metal parts to earth ground, to assure no shock hazard exists. The leakage current must not exceed 0.5mA.

(F)

"Pour votre sécurité, ces documents doivent être utilisés par des spécialistes agréés, seuls habilités à réparer votre appareil en panne".

TECHNICAL SPECIFICATIONS

GENERAL

| | |
|-----------------------|-----------------------|
| Mains voltage | -/00/05 : 230 V |
| | -/17 : 120 V |
| Mains frequency | -/00/05 : 50 Hz |
| | -/17 : 60 Hz |
| Battery | mains : 9 V (R14 x 6) |
| Power consumption | : < 5 W typ. |
| Dimension (L x D x H) | : 360 x 225 x 152 mm |
| Weight | : 2.3 Kg |

AMPLIFIER

| | |
|--------------------|--------------------------------|
| Output power | mains : 2 x 1 W |
| | battery : 2 x 1 W |
| Speaker impedance | : 2 x 8 ohm |
| Frequency response | : 100 Hz -10 kHz (± 2 dB) |

TUNER - FM SECTION

| | |
|-----------------|----------------------------|
| Tuning range | : 87.5 - 108 MHz |
| IF frequency | : 10.7 MHz ± 0.2 MHz |
| Sensitivity | : < 22 dBf at 26dB S/N |
| Selectivity | : > 20 dB at ± 300 kHz |
| IF rejection | : > 50 dB |
| Image rejection | : > 20 dB |

TUNER - MW SECTION

| | |
|-----------------------|--------------------------------|
| Tuning range | : 520 - 1602 kHz |
| | -/17 : 530 - 1700 kHz |
| IF frequency | : 450 kHz ± 1 kHz |
| Sensitivity | : < 5000 μ V/m at 26dB S/N |
| Selectivity | : > 16 dB |
| IF rejection ratio | : > 24 dB |
| Image rejection ratio | : > 28 dB |

AUDIO CASSETTE RECORDER

| | |
|----------------------|-------------------------|
| Number of tracks | : 1 stereo |
| Tape speed | : 4.76 cm/sec $\pm 3\%$ |
| Wow & flutter | : < 0.35 % JIS UWTD |
| Fast wind/rewind C60 | : < 130 sec. |
| Frequency response | P/B : 125 - 8000 Hz |
| S/N ratio | : > 36 dB |

COMPACT DISC

| | |
|--------------------|-------------------|
| S/N ratio | : > 50 dB |
| Channel difference | 1 kHz : < 3 dB |
| Channel crosstalk | 1 kHz : > 26 dB |
| Laser wavelength | : 780 ± 20 nm |
| Laser light power | : < 0.3 mW |

SERVICE TOOLS

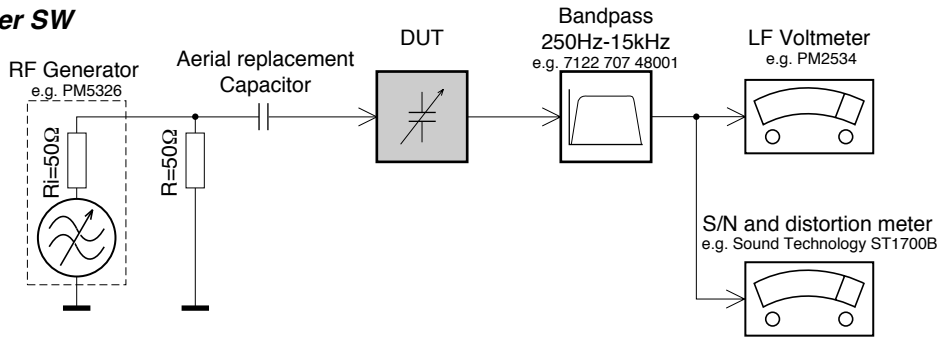
| | |
|--|----------------|
| Audio signal disc SBC 429..... | 4822 397 30184 |
| Playability test disc SBC 444..... | 4822 397 30245 |
| Test disc 5 (disc without errors) + | |
| Test disc 5A (disc with dropout errors, black spots and fingerprints) | |
| SBC 426/426A..... | 4822 397 30096 |
| Burn in test disc (65 min. 1kHz signal at -30 dB level without "pause")..... | 4822 397 30155 |

AVAILABLE ESD PROTECTION EQUIPMENT

| | |
|--|----------------|
| anti-static table mat large 1200x650x1.25mm | 4822 466 10953 |
| small 600x650x1.25m | 4822 466 10958 |
| anti-static wristband | 4822 395 10223 |
| connection box (3 press stud connections, 1M Ω) | 4822 320 11307 |
| extendible cable (2m, 2M Ω , to connect wristband to connection box) | 4822 320 11305 |
| connecting cable (3m, 2M Ω , to connect table mat to connection box) | 4822 320 11306 |
| earth cable (1M Ω , to connect any product to mat or to connection box) | 4822 320 11308 |
| KIT ESD3 (combining all 6 prior products - small table mat) | 4822 310 10671 |
| wristband tester | 4822 344 13999 |

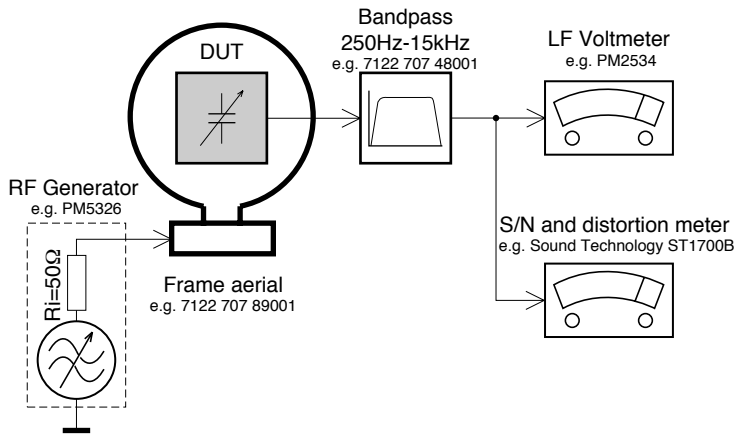
SERVICE MEASUREMENT

Tuner SW



To avoid atmospheric interference all AM-measurements have to be carried out in a Faraday«s cage. Use a bandpass filter (or at least a high pass filter with 250Hz) to eliminate hum (50Hz, 100Hz).

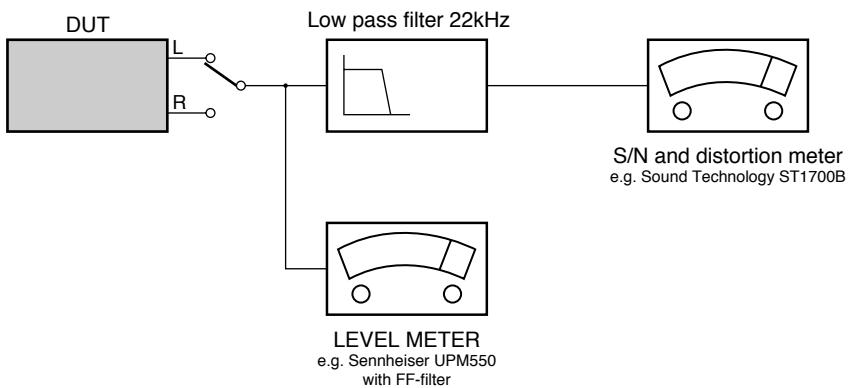
Tuner AM (MW,LW)



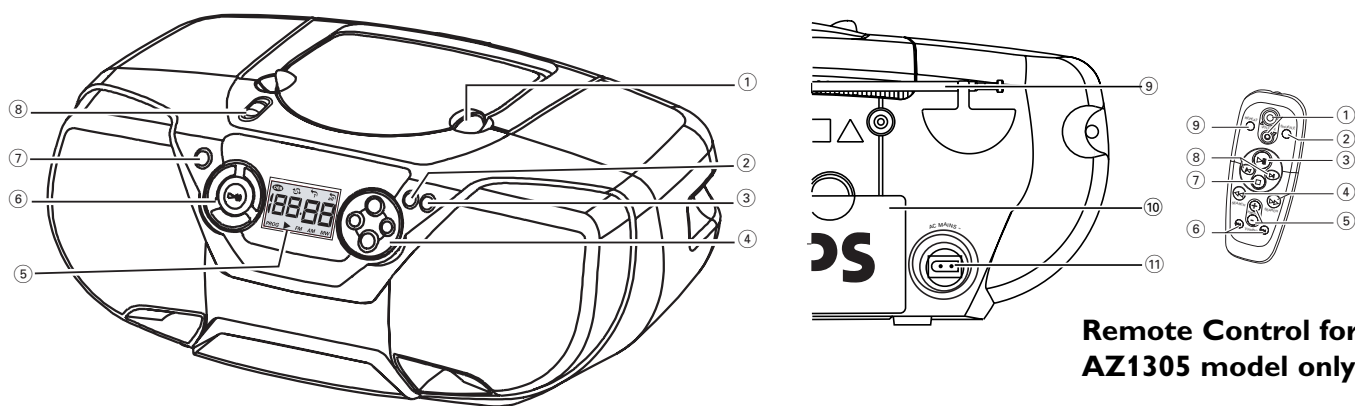
To avoid atmospheric interference all AM-measurements have to be carried out in a Faraday«s cage.

CD

Use Audio Signal Disc SBC429 4822 397 30184 (replaces test disc 3)
L.P.F. = 13th order filter 4822 395 30204



CONNECTIONS AND CONTROLS



**Remote Control for
AZ1305 model only**

English

CONTROL

POWER SUPPLY

ACCESSORIES

- 1 x AC mains lead
- 1 x Remote Control (for **AZ1305** model only)

TOP AND FRONT PANEL (See [1])

- ① **LIFT TO OPEN** - lift here to open CD door.
- ② **PROG**
CD: - programs tracks and reviews the program;
Tuner: - programs preset radio stations.
- ③ **MODE** - selects different play modes: e.g. **REPEAT** or **SHUFFLE** (random) order.
- ④ **VOLUME ▲, ▼** - to adjust volume level.
PRESET +, - (up, down) - selects a preset radio station.
- ⑤ **Display** - shows the status of the set.
- ⑥ **▶||** - starts or pauses CD playback.
■ - to stop playback or erase a CD program.
SEARCH ◀◀, ▶▶
CD: - searches backward and forward within a track;
- skips to the beginning of a current track/
previous/ later track.
RADIO: - (down, up) tunes to radio stations.
- ⑦ **DBB (Dynamic Bass Boost)** - activates a more vivid bass response.
- ⑧ **POWER slider** - selects **CD/ MW / FM / OFF** function and also the power off switch (**OFF**).

BACK PANEL (See [1])

- ⑨ **Telescopic aerial** - improves FM reception.
- ⑩ **Battery compartment** - for 6 batteries, type **R-14, UM2** or **C-cells**.
- ⑪ **AC MAINS** - inlet for mains lead.

REMOTE CONTROL (for AZ1305 model only)

- ① **VOLUME ▲, ▼** - adjusts volume level.
- ② **SHUFFLE** - plays all CD tracks in random order.
- ③ **▶||** - starts or pauses CD playback.
- ④ **SEARCH ◀◀, ▶▶** - searches backwards/
forwards within a track.
- ⑤ **PRESET +, -** (up, down) - selects a preset radio station.
- ⑥ **TUNING ◀◀, ▶▶** (down, up) - tunes to tuner stations.
- ⑦ **■** - to stop playback;
- erases a CD program.
- ⑧ **◀, ▶** - skips to the beginning of a current track
previous/ subsequent track.
- ⑨ **REPEAT** - repeats a track /program/ entire CD.

CAUTION

Use of controls or adjustments or performance of procedures other than herein may result in hazardous radiation exposure or other unsafe operation.

POWER SUPPLY

Whenever convenient, use the AC power supply to conserve battery life. Make sure you remove the power plug from the set and wall outlet before inserting batteries.

Batteries (not included)

- Insert 6 batteries, type **R-14, UM-2** or **C-cells**, (preferably alkaline) with the correct polarity. (See [6])
- **Remote control (AZ1305 model only)**
Insert 2 batteries, type **AAA, R03** or **UM4** (preferably alkaline). (See [8])

IMPORTANT!

- Incorrect use of batteries can cause electrolyte leakage and will corrode the compartment or cause the batteries to burst.
- Do not mix battery types: e.g. alkaline with carbon zinc. Only use batteries of the same type for the set.
- When inserting new batteries, do not try to mix old batteries with the new ones.
- **Batteries contain chemical substances, so they should be disposed of properly.**

Using AC Power

1. Check if the AC power supply, as shown on the **type plate located on the bottom of the set**, corresponds to your local power supply. If it does not, consult your dealer or service centre.
2. Connect the mains lead to the wall socket.
3. To disconnect the mains supply, unplug the set from the wall socket.

This set complies with the radio interference requirements of the European Community.

For users in the U.K., please follow the boxed instructions 'Important notes...' on this sheet.

BASIC FUNCTIONS

Switching on and off and selecting function

1. To switch on, adjust the **POWER slider** to select: **CD, MW (AM), FM** function, and operate the respective function controls.
2. To switch off, adjust the **POWER slider** to select **OFF**.

Note : The **DBB** setting, tuner presets and the volume level (maximum to 20) will be retained in the set's memory.

Adjusting volume and sound (See [2])

1. Adjust the volume with the **VOLUME** controls.
→ Display shows the volume level in number from 0-32.
2. Press **DBB** once or more to select dynamic bass boost on or off.
→ Display: shows **DBB** when activated.

CONNECTIONS AND CONTROLS

DIGITAL TUNER

DIGITAL TUNER

Tuning to radio stations

- Adjust the **POWER slider** to **MW** or **FM**.
 - The radio, station frequency, waveband are shown (See [3]).
- Press and hold **SEARCH** ◀◀ or ▶▶ until the frequency in the display starts running.
 - The radio automatically tunes to a station of sufficient reception. Display shows *S r c h* during automatic tuning.
- Repeat step 2 if necessary until you find the desired station.
 - To tune to a weak station, press ◀◀ or ▶▶ briefly and repeatedly until you have found optimal reception.

To improve radio reception:

- For **FM**, extend, incline and turn the telescopic aerial. Reduce its length if the signal is too strong.
- For **MW**, the set uses a built-in aerial. Direct this aerial by turning the whole set.

Programming radio stations

You can store up to a total of 30 radio stations (20 FM and 10 MW) in the memory, manually or automatically (Autostore).

CD PLAYER

Programming track numbers

In the stop position, select and store your CD tracks in the desired sequence. Up to 20 tracks can be stored in the memory.

- Press **SEARCH** ◀◀ or ▶▶ on the set to select your desired track number.
- Press **PROG**.
 - Display: *PROG, P r o g* briefly and your selected track number. (See [5])
 - If you attempt to program without first selecting a track number, *n o S E* is shown.
- Repeat steps 1-2 to select and store all desired tracks.
 - Display: *F u l l* if you try to program more than 20 tracks.

Reviewing the program

In the stop position, press and hold **PROG** until the display shows all your stored track numbers in sequence.

Erasing a program

You can erase the program by either:

- pressing ■ twice
 - *E r a s e* is displayed briefly and **PROG** disappears.
- You select **MW / FM** function.
- Open the CD door.

DIGITAL TUNER

Manual programming

- Tune to your desired station (see **Tuning to radio stations**).
- Press **PROG** to activate programming.
 - **PROG** flashes.
- Press **PRESET + / -** once or more to select a preset number.
 - **Remote control (AZ1305 models only):** Press **PRESET + / -** once or more to select a preset station.
- Press **PROG** to confirm.
- Repeat steps 1-4 to store other stations.

Note : You can erase a preset station by storing another frequency in its place.

Autostore

Autostore automatically starts programming radio stations from preset 1. Available stations are programmed in order if the station with sufficient reception strength. Any previous presets e.g. manually programmed will be erased.

- Press **PROG** for 2 seconds or more to activate autostore programming.
 - The display shows *R U L D*, **PROG** blinks, followed by the radio station details when stored.

After all stations are stored, the first preset station will then automatically play.

To listen to a preset station

- Press the **PRESET + , -** buttons once or more until the desired preset station is displayed.
- Remote control (**AZ1305 models only**): optionally, press **PRESET + , -** to select your preset station.

SAFETY & MAINTENANCE

SAFETY & MAINTENANCE INFORMATION

(See [7])

- Don't expose the set, batteries, CDs to humidity, rain, sand or excessive heat.
- Clean the set with a dry cloth. Don't use any cleaning agents containing alcohol, ammonia, benzene or abrasives as these may harm the set.
- Place the set on a hard and flat surface so that the system does not tilt. Make sure there is good ventilation to prevent the set overheating.
- The mechanical parts of the set contain self-lubricating bearings and must not be oiled or lubricated.

CD player and CD handling

- If the CD player cannot read CDs correctly, use a cleaning CD to clean the lens before taking the set to repair.
- The lens of the CD player should never be touched!
- Sudden changes in the surrounding temperature can cause condensation on the lens of your CD player. Playing a CD is then not possible. Do not attempt to clean the lens but leave the set in a warm environment until the moisture evaporates.
- Always close the CD door to avoid dust on the lens.
- To clean the CD, wipe in a straight line from the centre towards the edge using a soft, lint-free cloth. Do not use cleaning agents as they may damage the disc.
- Never write on a CD or attach any stickers to it.

CD PLAYER

Playing a CD

This CD player plays Audio Discs including CD-Recordables and CD-Rewritables.

- Adjust the **POWER slider** to **CD**.
- Open the CD Door.
 - *D P E R* is displayed.
- Insert a CD with the printed side facing up and close the door.
 - *n o c d* if no CD inserted/ CD dirty, incorrectly inserted or damaged.
 - *n F c d* if you have inserted a non-finalized CD-R(W).
- Press **▶II** to start playback.
 - *d R L R* if your CD contains non-audio i.e. data files.
- To pause playback press **▶II**. Press **▶II** again to resume play.
 - Display: ◀ flashes during pause.
- To stop CD playback, press the ■ button.

Note : CD play will also stop when:

- the CD door is opened
- the CD has reached the end
- you select **MW / FM** function.

Selecting a different track

- Press **SEARCH** ◀◀ or ▶▶ once or repeatedly to select your track.
- In the pause / stop position, press **▶II** to start playback.

TROUBLESHOOTING

If a fault occurs, first check the points listed below before taking the set for repair. If you are unable to remedy a problem by following these hints, consult your dealer or service centre.

WARNING: Do not open the set as there is a risk of electric shock! Under no circumstances should you try to repair the set yourself, as this will invalidate the guarantee.

No sound /power

- Volume not adjusted
- Adjust the VOLUME
- Mains lead not securely connected
- Connect the AC mains lead properly
- Batteries exhausted/ incorrectly inserted
- Insert (fresh) batteries correctly

Severe radio hum or noise

- Electrical interference: set too close to TV, VCR or computer
- Move the set to increase the distance

Poor radio reception

- Weak radio signal
- FM: Adjust the FM telescopic aerial

n o c d indication

- CD badly scratched or dirty
- Replace/ clean CD, see Maintenance
- Laser lens steamed up
- Wait until lens has cleared

n F c d indication

- CD-R(W) is blank/ not finalized
- Use a finalized CD-R(W)

CD PLAYER

Finding a passage within a track

- Press and hold **SEARCH** ◀◀ or ▶▶.
 - The CD is played at high speed and low volume.
- When you recognize the passage you want, release ◀◀ or ▶▶ to resume normal playback.
 - Note :** During a CD program or if **SHUFFLE/ REPEAT** active, searching is only possible within a track.

Different play modes: SHUFFLE and REPEAT

You can select and change the various play modes before or during playback, and combine the modes with **PROG**. (See [4])

- SHUFFLE** - tracks of the entire CD/ program are played in random order
- SHUFFLE REPEAT ALL** - to repeat the entire CD/ program continuously in random order
- REPEAT ALL** - repeats the entire CD/ program
- REPEAT** - plays the current track continuously

- To select play mode, press **MODE** once or more.
- Press **▶II** to start playback if in the stop position.
- To select normal playback, press **MODE** repeatedly until the various modes are no longer displayed.
 - You can also press the ■ button to cancel your play mode.

Environmental information

We have done our best to reduce the packaging and make it easy to separate into 3 materials: cardboard, expandable polystyrene, polyethylene.

Your set consists of materials which can be recycled if disassembled by a specialized company. Please observe the local regulations regarding the disposal of packaging, exhausted batteries and old equipment.

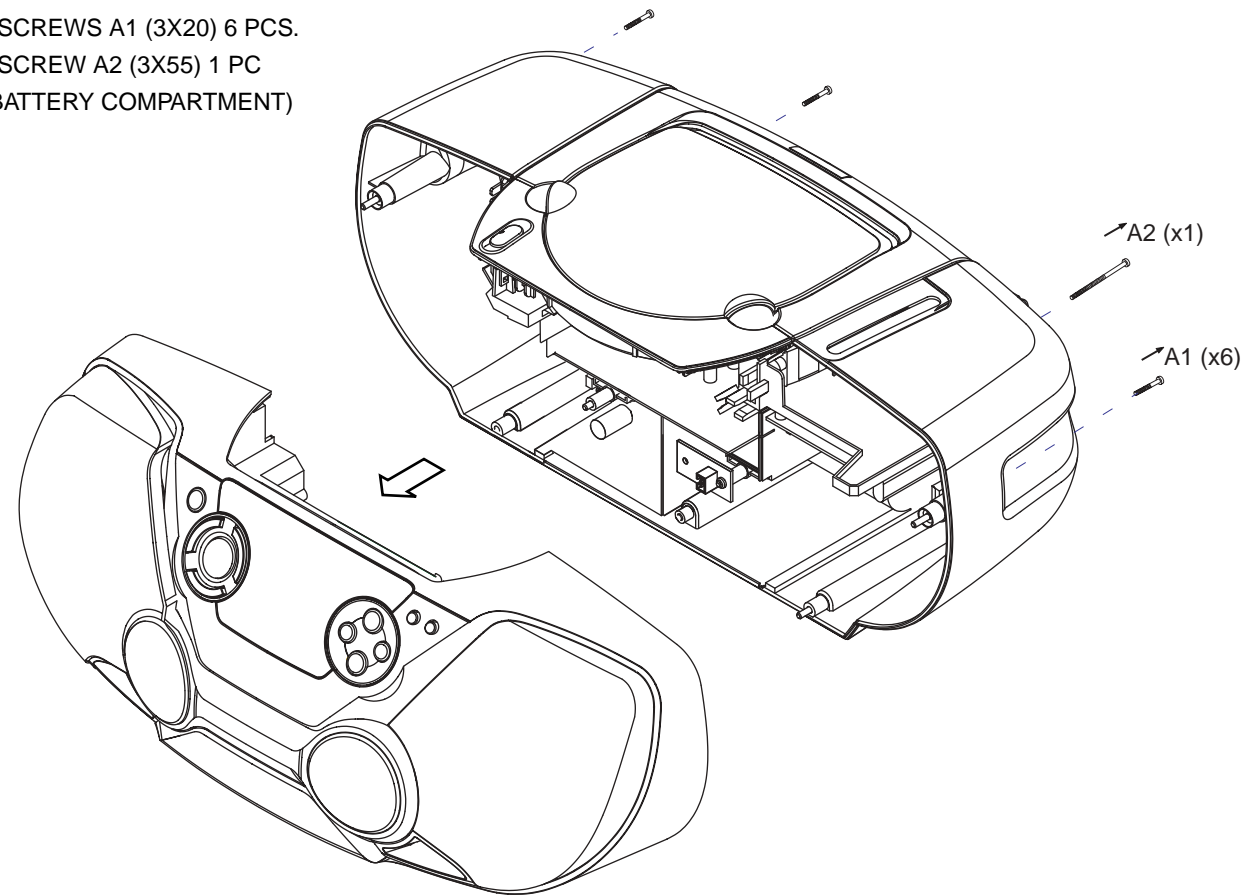
For more information on operation instruction please visit Philips Audio internet site :

<http://www.audio.philips.com>

DISASSEMBLY DIAGRAM

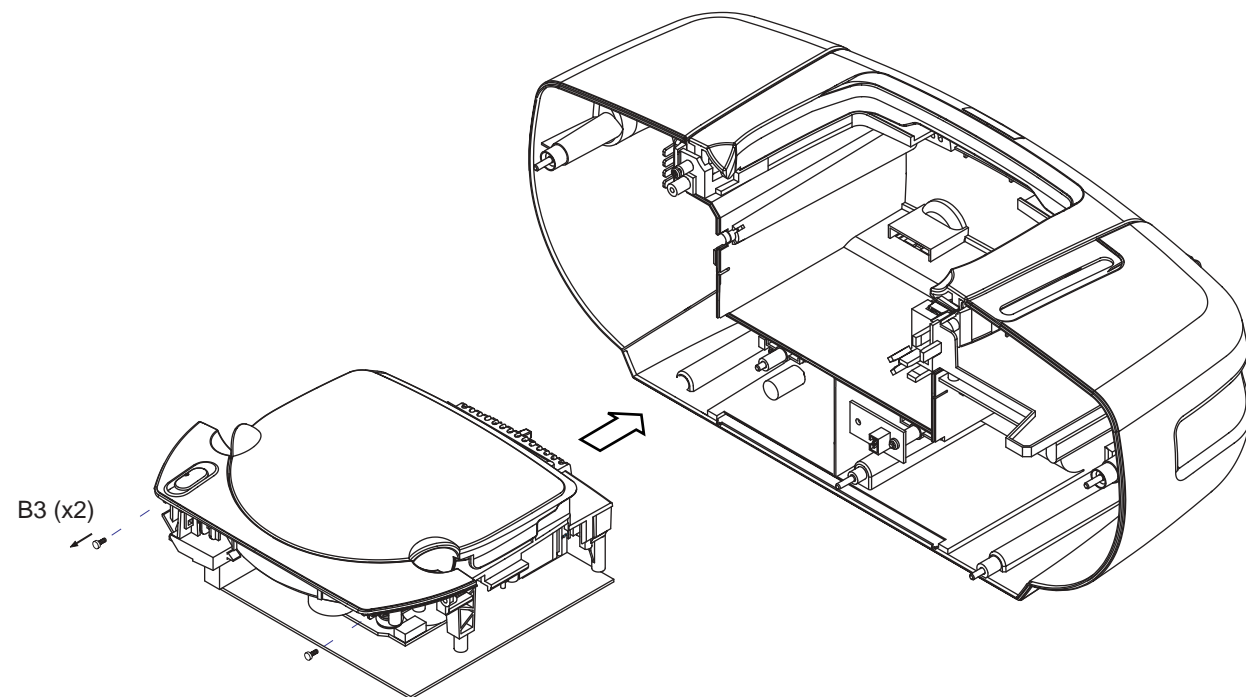
A. REMOVE FRONT CABINET ASSEMBLY

- REMOVE SCREWS A1 (3X20) 6 PCS.
- REMOVE SCREW A2 (3X55) 1 PC
(INSIDE BATTERY COMPARTMENT)



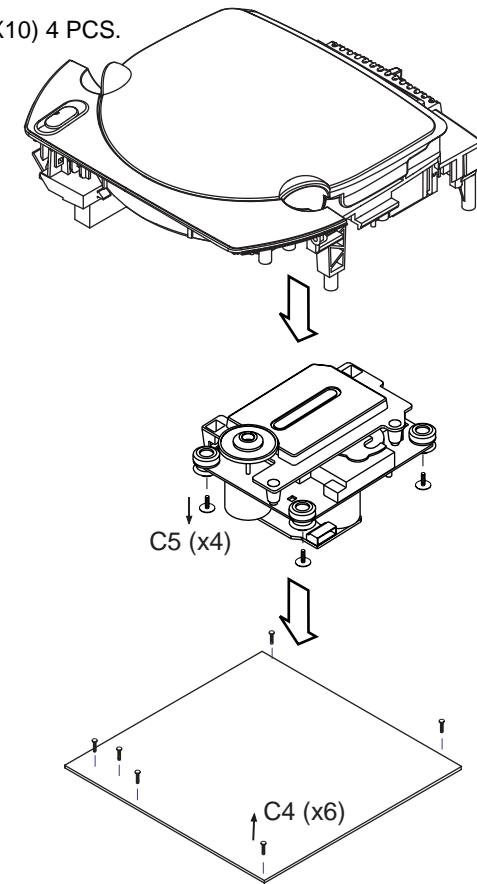
B. REMOVE BOTTOM CABINET ASSEMBLY

- REMOVE SCREWS B3 (3X8) 2 PCS.



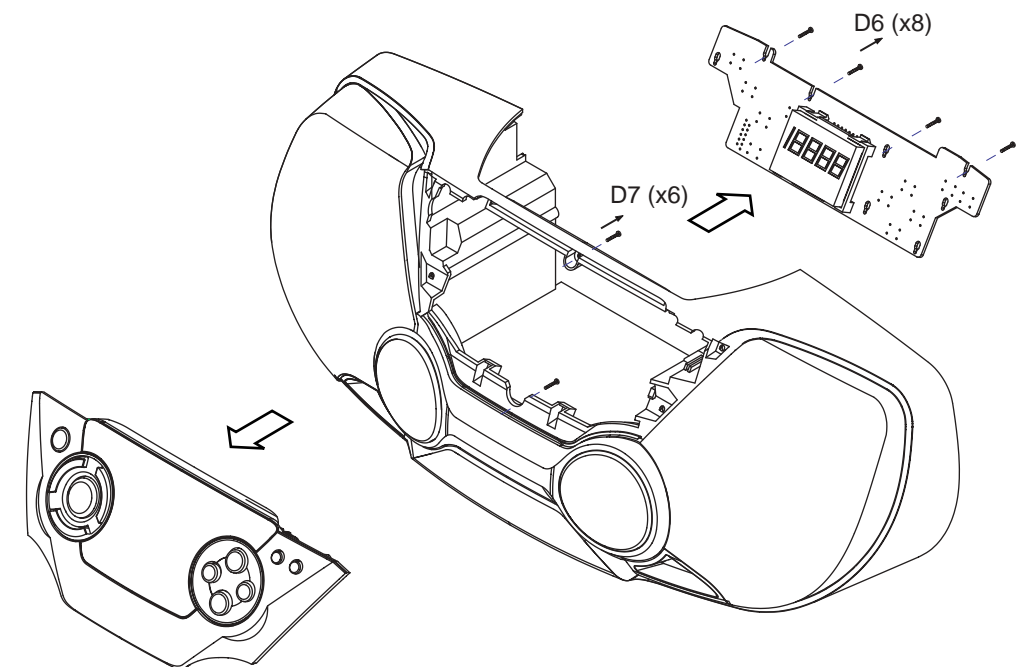
C. REMOVE DECK MECHANISM

- REMOVE SCREWS C4 (2.5X8) 6 PCS.
- REMOVE MAIN BOARD
- REMOVE SCREWS C5 (2.5X10) 4 PCS.
- REMOVE CD DECK

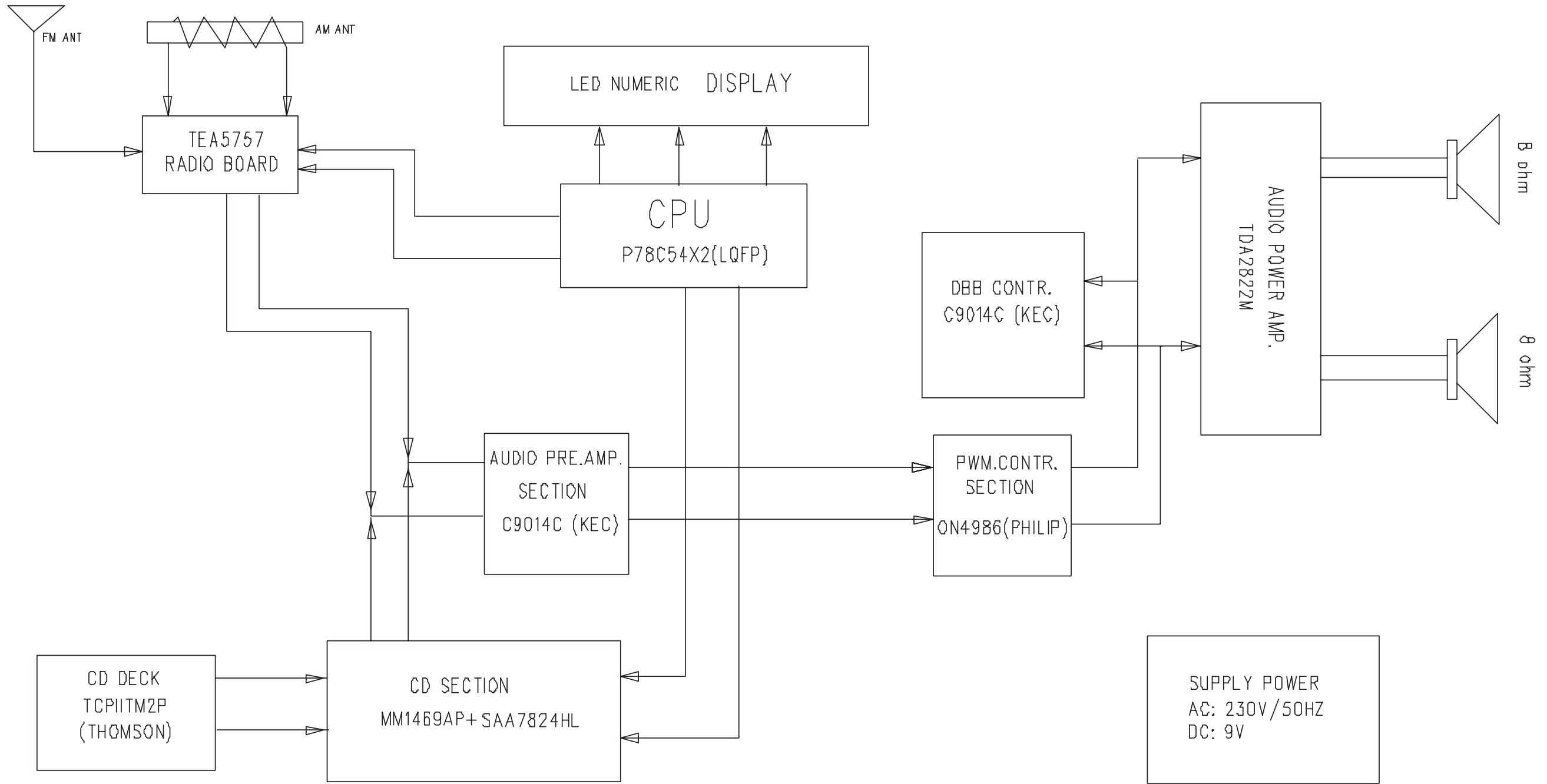


D. REMOVE FRONT PANEL

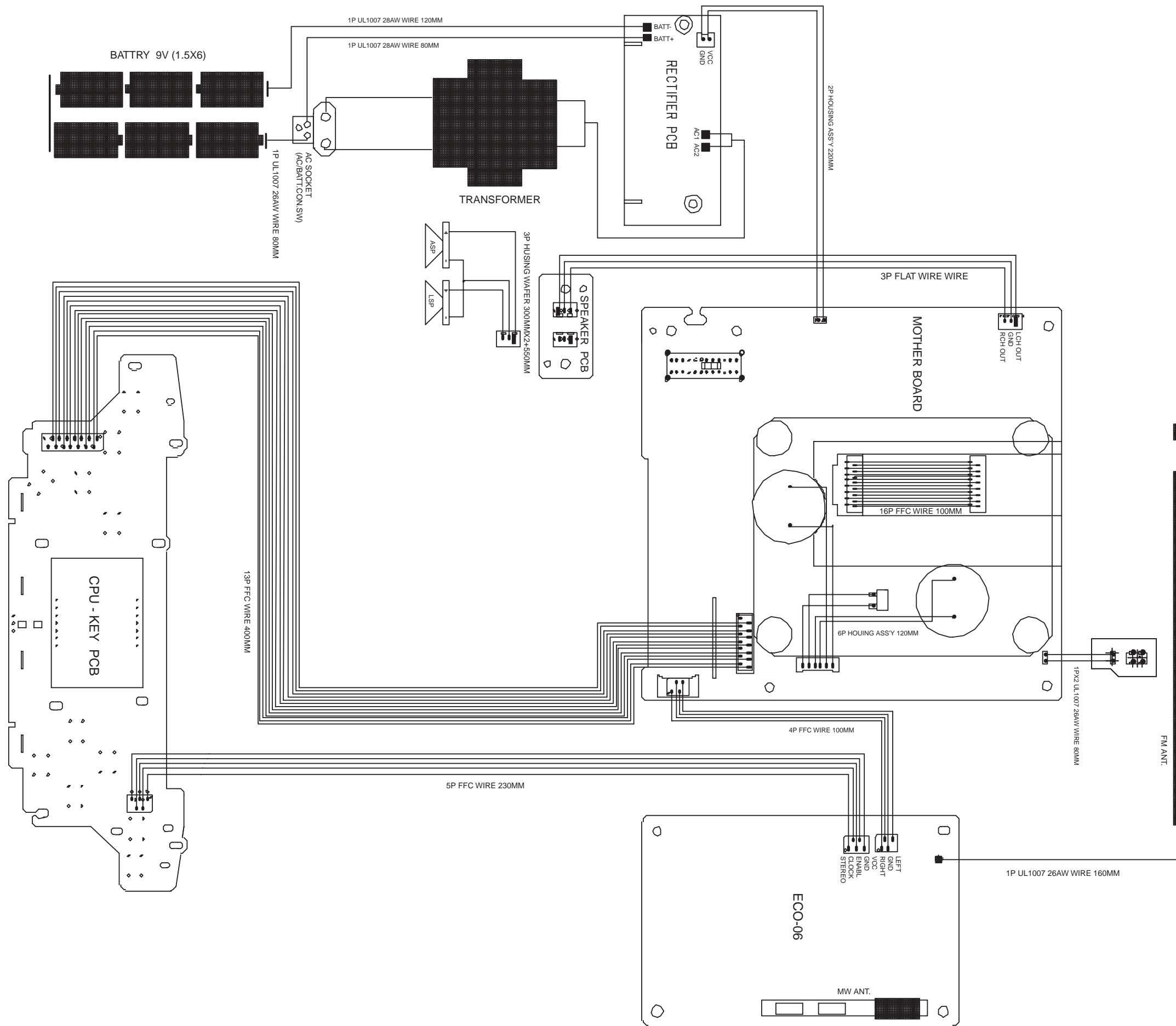
- REMOVE SCREWS D6 (2.5X10) 8 PCS.
- REMOVE SCREWS D7 (2.5X8) 6 PCS.



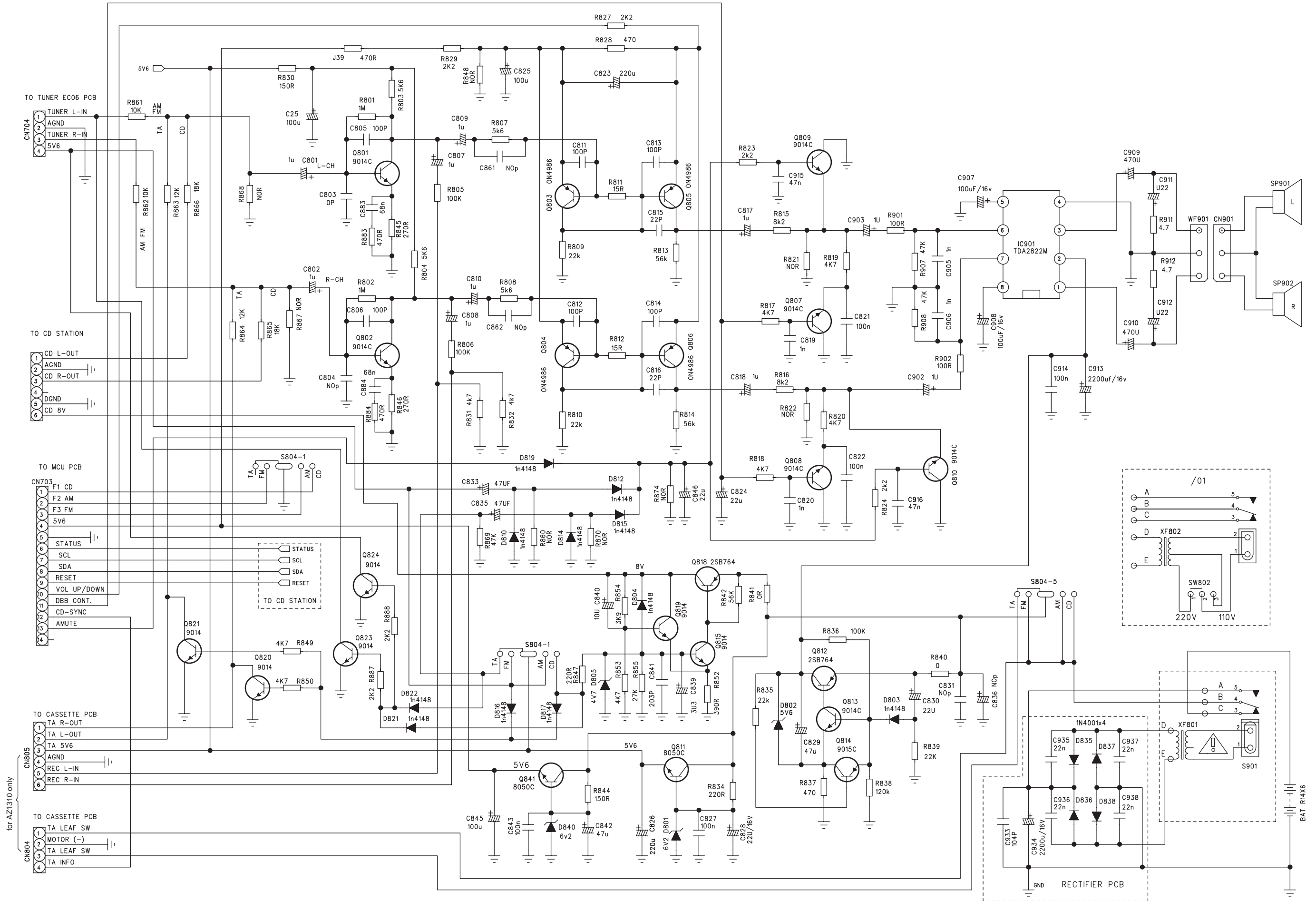
BLOCK DIAGRAM



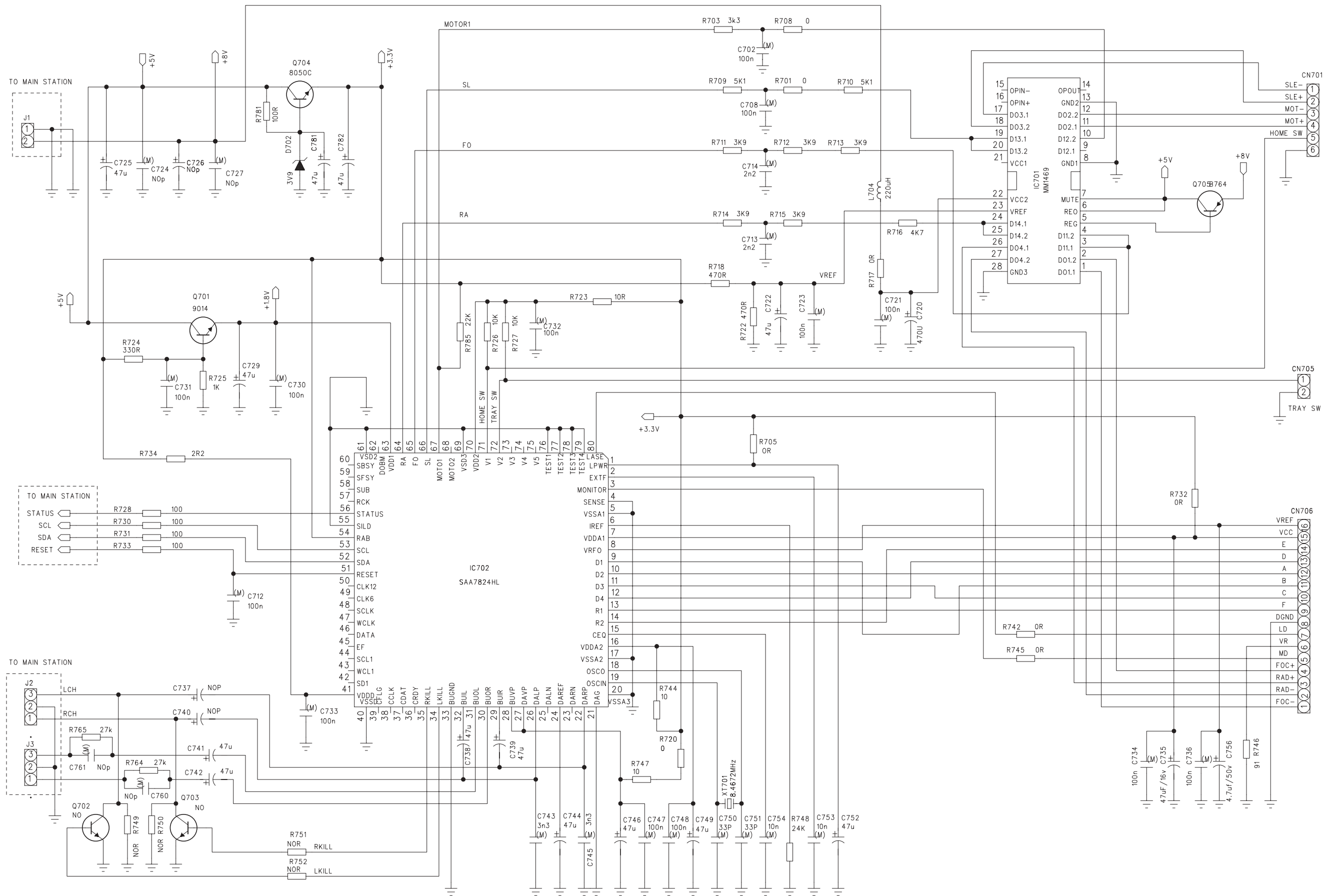
WIRING DIAGRAM



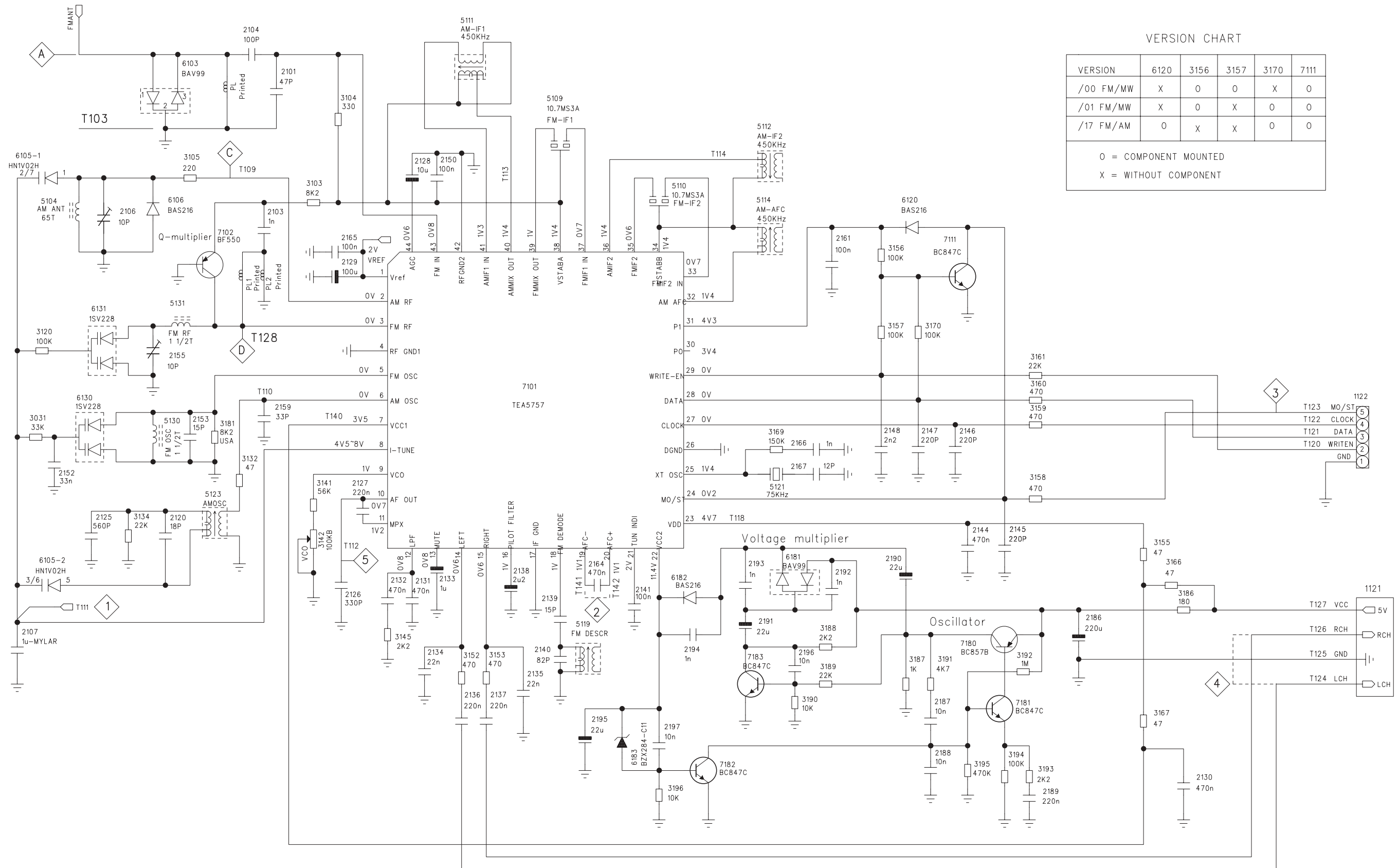
CIRCUIT DIAGRAM - MAIN BOARD (AF PART)



CIRCUIT DIAGRAM - MAIN BOARD (CD PART)



CIRCUIT DIAGRAM - TUNER BOARD

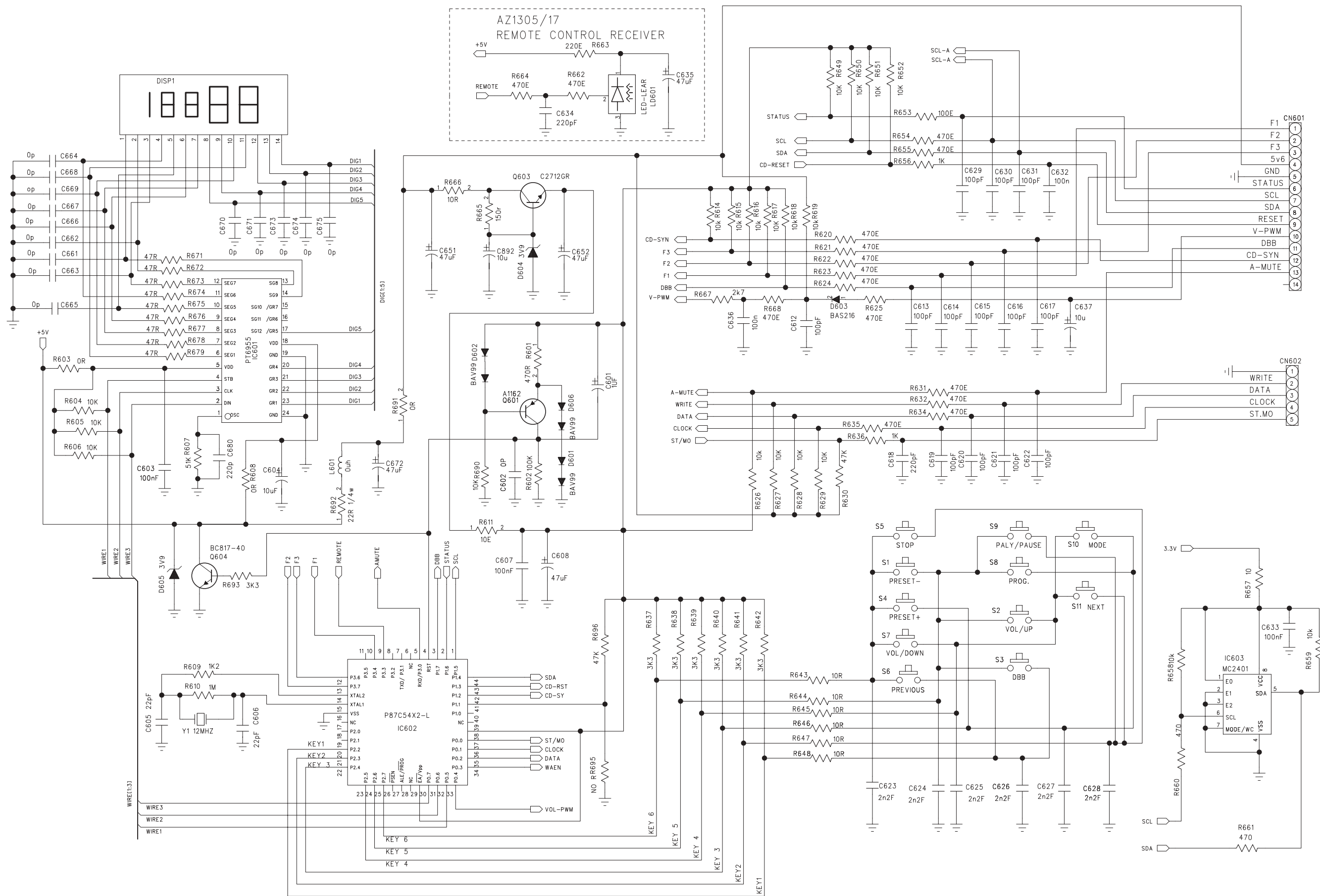


VERSION CHART

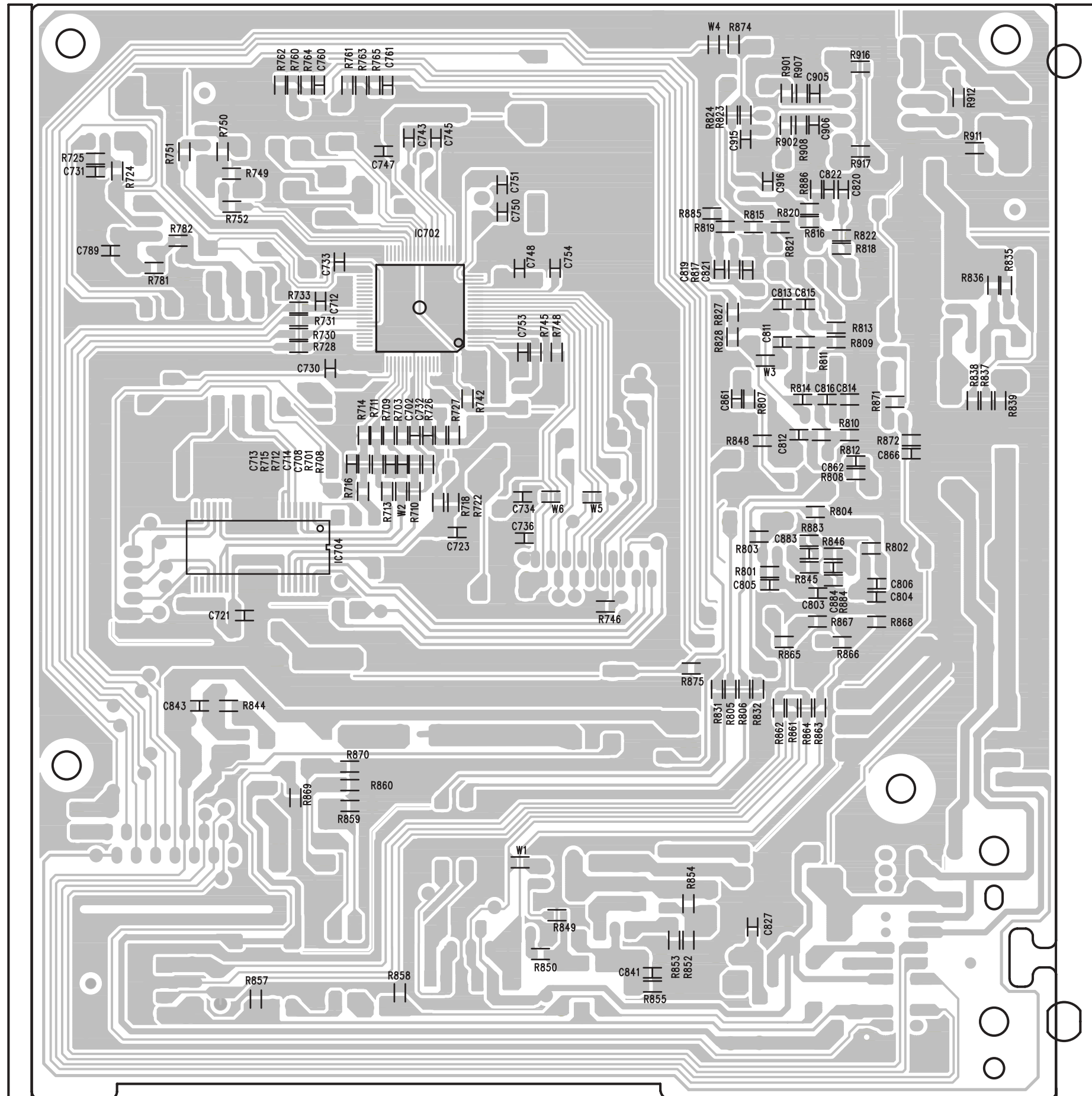
| VERSION | 6120 | 3156 | 3157 | 3170 | 7111 |
|-----------|------|------|------|------|------|
| /00 FM/MW | X | 0 | 0 | X | 0 |
| /01 FM/MW | X | 0 | X | 0 | 0 |
| /17 FM/AM | 0 | X | X | 0 | 0 |

0 = COMPONENT MOUNTED
X = WITHOUT COMPONENT

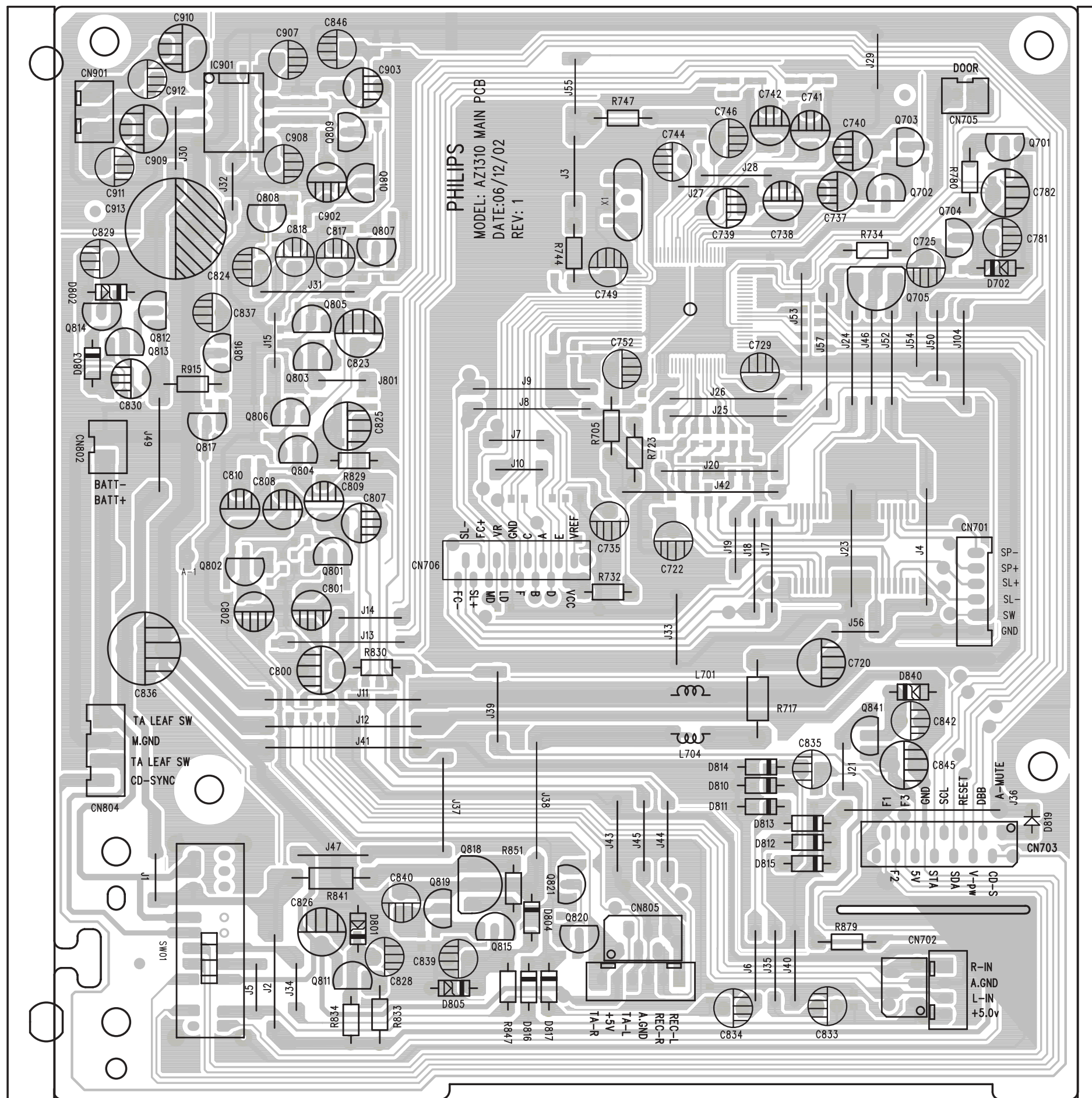
CIRCUIT DIAGRAM - MCU BOARD



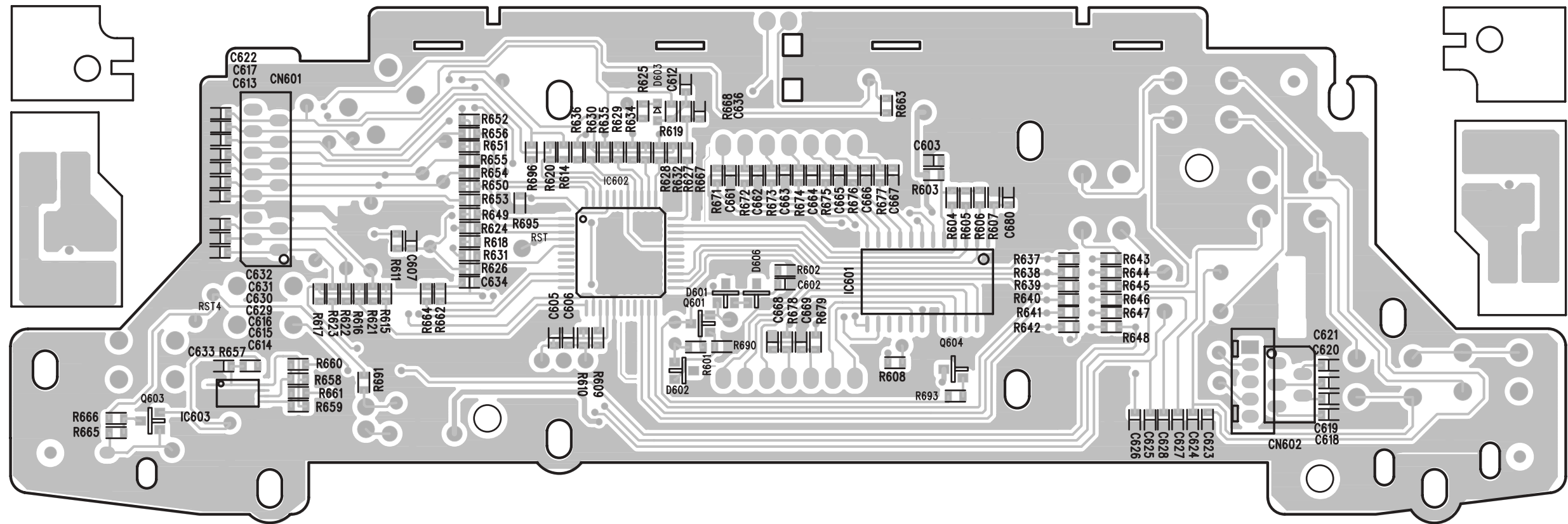
LAYOUT DIAGRAM - MAIN BOARD
(COPPER SIDE VIEW)



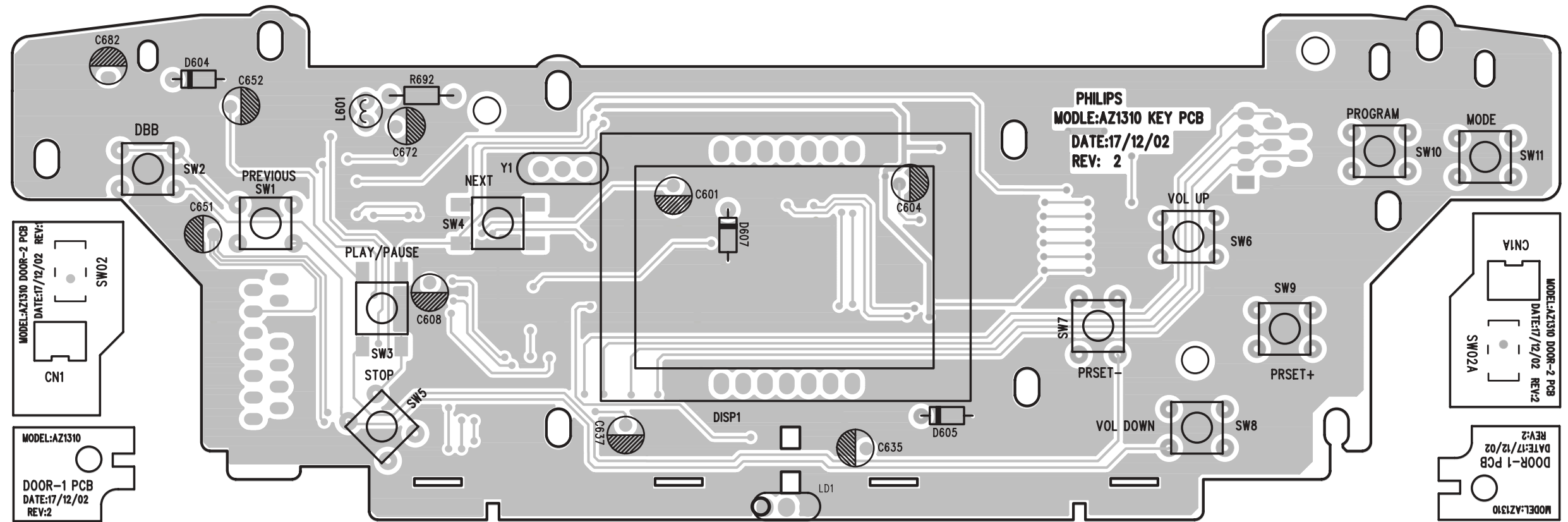
LAYOUT DIAGRAM - MAIN BOARD
(COMPONENT SIDE VIEW)



LAYOUT DIAGRAM- MCU BOARD
(COPPER SIDE VIEW)



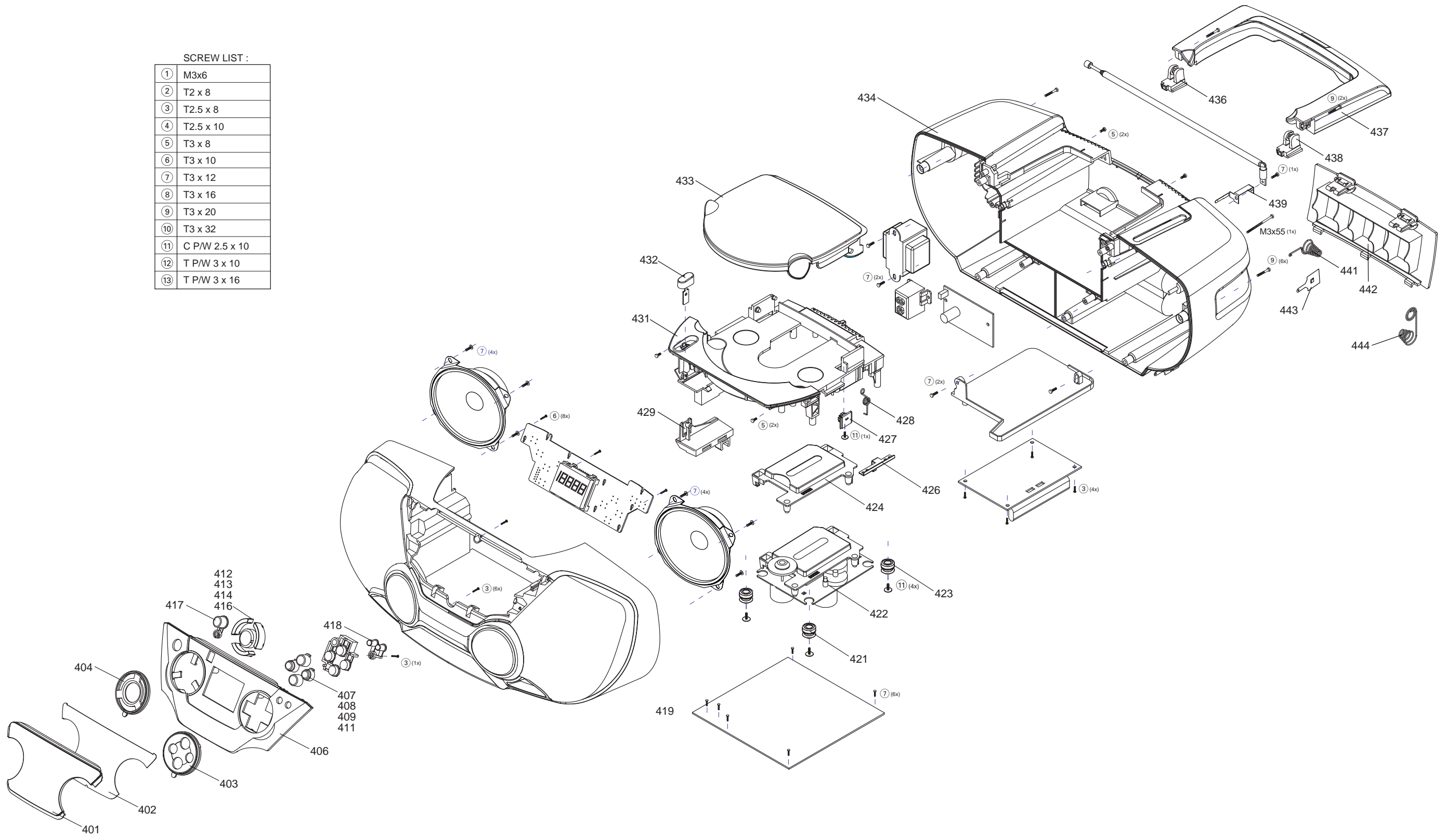
LAYOUT DIAGRAM - MCU BOARD (COMPONENT SIDE VIEW)



EXPLODED VIEW DIAGRAM - CABINET

SCREW LIST :

| | |
|---|----------------|
| ① | M3x6 |
| ② | T2 x 8 |
| ③ | T2.5 x 8 |
| ④ | T2.5 x 10 |
| ⑤ | T3 x 8 |
| ⑥ | T3 x 10 |
| ⑦ | T3 x 12 |
| ⑧ | T3 x 16 |
| ⑨ | T3 x 20 |
| ⑩ | T3 x 32 |
| ⑪ | C P/W 2.5 x 10 |
| ⑫ | T P/W 3 x 10 |
| ⑬ | T P/W 3 x 16 |



MECHANICAL PARTSLIST

| | | |
|-----|----------------|-----------------------------|
| 401 | 9965 000 16941 | DISPLAY LENS |
| 402 | 9965 000 16947 | PC MAGIC MIRROR |
| 403 | 9965 000 16946 | COSMETIC DISC (R) |
| 404 | 9965 000 16945 | COSMETIC DISC (L) |
| 406 | 9965 000 16940 | FRONT PANEL |
| 407 | 9965 000 16855 | VOLUME KNOB - (UP) |
| 408 | 9965 000 16856 | VOLUME KNOB - (DOWN) |
| 409 | 9965 000 16857 | PRESET KNOB - (UP) |
| 411 | 9965 000 16858 | PRESET KNOB - (DOWN) |
| 412 | 9965 000 16860 | PREVIOUS KNOB |
| 413 | 9965 000 16861 | STOP KNOB |
| 414 | 9965 000 16862 | NEXT KNOB |
| 416 | 9965 000 16948 | PLAY KNOB |
| 417 | 9965 000 16950 | DBB KNOB |
| 418 | 9965 000 16949 | MODE/PROGRAM KNOB |
| 419 | 9965 000 16938 | FRONT CABINET |
| 421 | 9965 000 16883 | CUSHION 658PH (GREY) |
| 422 | 9965 000 16884 | CD DECK TCP11TM2P |
| 423 | 9965 000 16882 | CUSHION 658PG (BLACK) |
| 424 | 9965 000 16881 | DUST COVER SK-02 |
| 426 | 9965 000 16870 | DAMPER HOLDER BRACKET |
| 427 | 9965 000 16850 | CD DOOR GEAR |
| 428 | 9965 000 16875 | CD DOOR SPRING |
| 429 | 9965 000 16849 | FUNCTION KNOB ADAPTOR |
| 431 | 9965 000 16955 | CD TRAY (-/17) |
| 431 | 9965 000 16944 | CD TRAY |
| 432 | 9965 000 16859 | FUNCTION KNOB |
| 433 | 9965 000 16943 | CD DOOR |
| 434 | 9965 000 16939 | BOTTOM CABINET |
| 436 | 9965 000 16854 | HANDLE HINGE - (R) |
| 437 | 9965 000 16841 | HANDLE |
| 438 | 9965 000 16853 | HANDLE HINGE - (L) |
| 439 | 9965 000 16871 | ANTENNA CONTACT PLATE |
| 441 | 9965 000 16873 | BATTERY SPRING - (-) |
| 442 | 9965 000 16942 | BATTERY DOOR |
| 443 | 9965 000 16872 | BATTERY CONTACT PLATE - (+) |
| 444 | 9965 000 16874 | BATTERY SPRING - (+-) |
| | 9965 000 17018 | REMOTE CONTROL RC19414002 |
| | 9965 000 16956 | LEAFLET (-/17) |

Note: Only these parts mentioned in the list are normal service parts.

ELECTRICAL PARTSLIST**- MISCELLANEOUS -**

| | | |
|------|----------------|---------------------|
| 1106 | 9965 000 16396 | ROD ANTENNA |
| SW01 | 9965 000 16886 | FERRITE BAR |
| SW02 | 9965 000 16887 | BAND SWITCH |
| SW1 | 9965 000 16888 | DETECTOR SWITCH |
| | 9965 000 13705 | TACT-SWITCH |
| SW2 | 9965 000 13705 | TACT-SWITCH |
| SW3 | 9965 000 16889 | TACT-SWITCH |
| SW4 | 9965 000 16889 | TACT-SWITCH |
| SW5 | 9965 000 13705 | TACT-SWITCH |
| SW6 | 9965 000 13705 | TACT-SWITCH |
| SW7 | 9965 000 13705 | TACT-SWITCH |
| SW8 | 9965 000 13705 | TACT-SWITCH |
| SW9 | 9965 000 13705 | TACT-SWITCH |
| SW10 | 9965 000 13705 | TACT-SWITCH |
| SW11 | 9965 000 13705 | TACT-SWITCH |
| | 9322 155 82667 | IR RECEIVER |
| | 9965 000 16891 | FERRITE BEAD |
| | 9965 000 16892 | FFC CABLE WIRE 13P |
| | 9965 000 16894 | FFC CABLE WIRE 4P |
| | 9965 000 16895 | FFC CABLE WIRE 5P |
| | 9965 000 16954 | SPEAKER 4" 8 OHM 3W |
| | 9965 000 16957 | TRANSFORMER |
| | 9965 000 16958 | AC SOCKET |
| | 2422 070 98152 | MAINSCORD 1,79MHz |

- CAPACITORS AND RESISTERS-

| | | |
|------|----------------|------------------|
| 3142 | 9965 000 16900 | SEMI-FIXED 100KB |
| 2155 | 4822 125 11113 | TRIM CAPACITOR |
| 2106 | 9965 000 16901 | TRIMMER CVN620 |

- COILS & FILTERS -

| | | |
|------|----------------|---------------------|
| 5104 | 9965 000 16902 | AM COIL AN75-871390 |
| 5109 | 9965 000 16903 | 10,7MHZ MS3A |
| 5110 | 9965 000 16903 | 10,7MHZ MS3A |
| 5111 | 9965 000 16904 | AHK7-850978 |
| 5112 | 9965 000 16905 | AHK7-850981 |
| 5114 | 9965 000 16905 | AHK7-850981 |
| 5119 | 9965 000 16906 | KHI7-855142 |
| 5123 | 9965 000 16907 | OHK7-850977 |
| 5130 | 9965 000 16908 | FT10-878842 |
| 5131 | 9965 000 16908 | FT10-878842 |
| L704 | 9965 000 16910 | 220µH (4X5) |
| X1 | 9965 000 16911 | CRA8,467M3 |
| Y1 | 9965 000 16912 | CRA12,0M3 |
| | 9965 000 16913 | 75KHZ/12,5pF |

- DIODES -

| | | |
|------|----------------|-------------|
| 6103 | 5322 130 34337 | BAV99 |
| 6105 | 9965 000 07240 | HN1V02H |
| 6130 | 9965 000 16914 | ISV228 |
| 6131 | 9965 000 16914 | ISV228 |
| 6181 | 5322 130 34337 | BAV99 |
| 6182 | 9340 255 30135 | BAS216 |
| 6183 | 9340 386 90115 | BZX284-C11 |
| D601 | 5322 130 34337 | BAV99 |
| D602 | 5322 130 34337 | BAV99 |
| D603 | 9340 255 30135 | BAS216 |
| D604 | 9965 000 16915 | HZ4B2 |
| D605 | 9965 000 16915 | HZ4B2 |
| D606 | 5322 130 34337 | BAV99 |
| D702 | 9965 000 16915 | HZ4B2 |
| D801 | 9965 000 16916 | DIODE 6,2V |
| D802 | 9965 000 16917 | DIODE 5,6V |
| D803 | 4822 130 30621 | 1N4148 |
| D804 | 4822 130 30621 | 1N4148 |
| D805 | 9965 000 16918 | 4,7V 1/2W |
| D810 | 4822 130 30621 | 1N4148 |
| D812 | 4822 130 30621 | 1N4148 |
| D814 | 4822 130 30621 | 1N4148 |
| D816 | 4822 130 30621 | 1N4148 |
| D817 | 4822 130 30621 | 1N4148 |
| D819 | 4822 130 30621 | 1N4148 |
| D835 | 4822 130 31438 | 1N4001G |
| D836 | 4822 130 31438 | 1N4001G |
| D837 | 4822 130 31438 | 1N4001G |
| D838 | 4822 130 31438 | 1N4001G |
| D840 | 9965 000 16916 | DIODE 6,2V |
| DISP | 9965 000 16919 | LED DISPLAY |

- IC & TRANSISTORS -

| | | |
|------|----------------|-------------|
| 7101 | 9351 740 80557 | TEA5757HV1 |
| 7102 | 4822 130 42131 | BF550 |
| 7111 | 5322 130 42755 | BC847C |
| 7180 | 4822 130 60373 | BC856B |
| 7181 | 5322 130 42755 | BC847C |
| 7182 | 5322 130 42755 | BC847C |
| 7183 | 5322 130 42755 | BC847C |
| IC60 | 9965 000 16920 | PT6955 |
| IC60 | 9965 000 16921 | P87C54X2BBD |
| IC60 | 9322 143 49668 | M24C01-RDW6 |
| IC70 | 9965 000 16922 | SAA7824HL |
| IC70 | 9965 000 16923 | MM1469AH |
| IC90 | 5322 209 83002 | TDA2822M |
| Q601 | 4822 130 61311 | 2SA1162Y |
| Q603 | 9965 000 16924 | 2SC2712-GR |

ELECTRICAL PARTSLIST**- IC & TRANSISTORS -**

| | | |
|------|----------------|-----------|
| Q604 | 4822 130 42615 | BC817-40 |
| Q701 | 9965 000 16927 | KTC-9014C |
| Q704 | 9965 000 16928 | KTC-8050C |
| Q705 | 9965 000 16926 | 2SB764 |
| Q801 | 9965 000 16927 | KTC-9014C |
| | | |
| Q802 | 9965 000 16927 | KTC-9014C |
| Q803 | 9965 000 04928 | ON4986 |
| Q804 | 9965 000 04928 | ON4986 |
| Q805 | 9965 000 04928 | ON4986 |
| Q806 | 9965 000 04928 | ON4986 |
| | | |
| Q807 | 9965 000 16927 | KTC-9014C |
| Q808 | 9965 000 16927 | KTC-9014C |
| Q809 | 9965 000 16927 | KTC-9014C |
| Q810 | 9965 000 16927 | KTC-9014C |
| Q811 | 9965 000 16928 | KTC-8050C |
| | | |
| Q812 | 9965 000 16925 | KTC-8550D |
| Q813 | 9965 000 16927 | KTC-9014C |
| Q814 | 9965 000 16929 | KTC-9015C |
| Q815 | 9965 000 16927 | KTC-9014C |
| Q818 | 9965 000 16926 | 2SB764 |
| | | |
| Q819 | 9965 000 16927 | KTC-9014C |
| Q820 | 4822 130 40981 | BC337-25 |
| Q821 | 4822 130 40981 | BC337-25 |
| Q841 | 9965 000 16928 | KTC-8050C |

Note: Only these parts mentioned in the list are normal service parts.